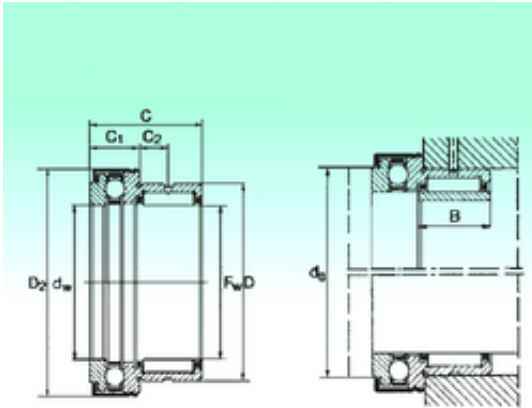




NTN BEARING-BOWER CORP.



NKX 40 Z Bearing 2D drawings and 3D CAD models

NBS NKX 40 Z complex bearings

Bearing No. NKX 40 Z

| | |
|--------------------------------|-------------|
| Size | 40x52x32 mm |
| Bore Diameter | 40 mm |
| Outer Diameter | 52 mm |
| Width | 32 mm |
| d | 40 mm |
| Fw | 40 mm |
| D | 52 mm |
| C | 32 mm |
| C1 | 13 mm |
| D1 | 60,1 mm |
| D2 | 61,2 mm |
| C2 | 10 mm |
| da | 55,7 mm |
| Weight | 0,208 Kg |
| Dynamic load rating radial (C) | 25 kN |
| Dynamic load rating axial (C) | 26 kN |
| Static load rating radial (C0) | 45 kN |
| Static load rating axial (C0) | 60 kN |