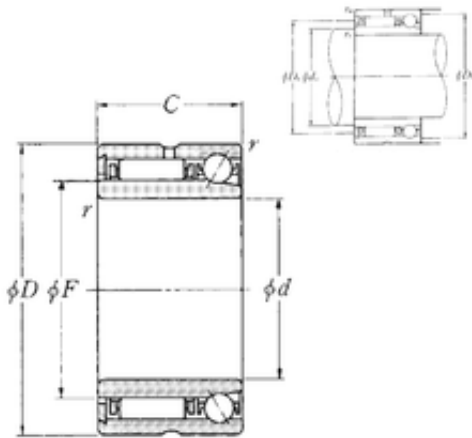




NTN BEARING-BOWER CORP.

70 mm x 100 mm x 40 mm NTN NKIA5914 complex bearings



Bearing No. NKIA5914

Size	70x100x40 mm
Bore Diameter	70 mm
Outer Diameter	100 mm
Width	40 mm
d	70 mm
F	80 mm
D	100 mm
B	40 mm
C	40 mm
r min.	1 mm
da min.	76 mm
Da max.	84 mm
ra max.	1 mm
Db max	94 mm
Weight	1,05 Kg
Dynamic load rating radial (C)	62,5 kN
Dynamic load rating axial (C)	18,6 kN
Static load rating radial (C0)	146 kN
Static load rating axial (C0)	47,5 kN
(Grease) Lubrication Speed	3300 r/min

NKIA5914 Bearing 2D drawings and 3D CAD models