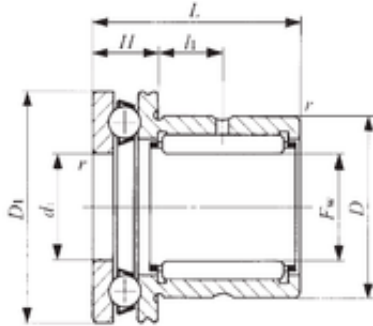




NTN BEARING-BOWER CORP.

IKO NAX 3030Z complex bearings



NAX 3030Z Bearing 2D drawings and 3D CAD models

Bearing No. NAX 3030Z

Bore Diameter	30 mm
Outer Diameter	42 mm
Fw	30 mm
D	42 mm
D1	47 mm
D2	48 mm
d1	30 mm
r min.	0,6 mm
H	11 mm
L	30 mm
L1	9,5 mm
da min.	40 mm
Weight	0,151 Kg
Dynamic load rating radial (C)	25,1 kN
Dynamic load rating axial (C)	20,4 kN
Static load rating radial (C0)	40,1 kN
Static load rating axial (C0)	33,6 kN