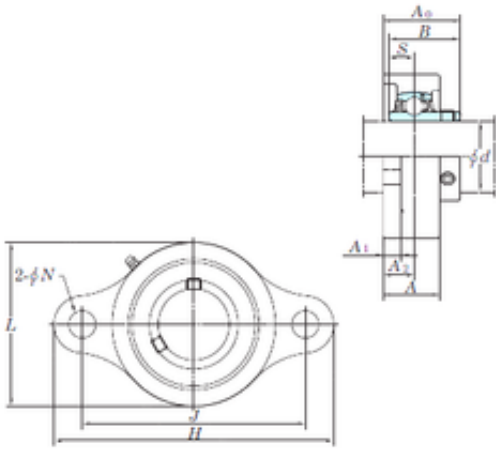




NTN BEARING-BOWER CORP.

KOYO UCSFL209H1S6 bearing units

Bearing No. UCSFL209H1S6



UCSFL209H1S6 Bearing 2D drawings and 3D CAD models

Bore Diameter	45 mm
d	45 mm
A0	52,2 mm
A	38 mm
A1	13 mm
B	49,2 mm
H	188 mm
J	148 mm
L	100 mm
N	19 mm
S	19 mm
Bolt (G)	M16
A2	22 mm
Weight	1,8 Kg
Basic dynamic load rating (C)	27,8 kN
Basic static load rating (C0)	16,2 kN
Bearing No.	UCSFL209H1S6
Bolt size	M16
Cr	27.8
C0r	16.2
f0	14.0
(Refer.) Unit mass(kg)	1.8