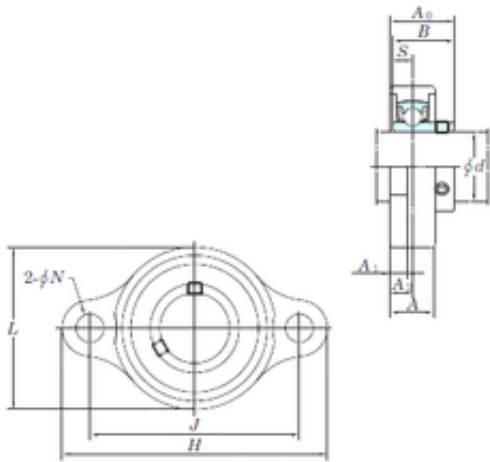




NTN BEARING-BOWER CORP.



KOYO USFL003S6 bearing units

Bearing No. USFL003S6

Bore Diameter	17 mm
d	17 mm
A0	18,5 mm
A	14 mm
A1	6 mm
B	17,5 mm
H	71 mm
J	56 mm
L	44 mm
N	7 mm
S	6 mm
Bolt (G)	M6
A2	7 mm
Weight	14,4 Kg
Basic dynamic load rating (C)	0,13 kN
Basic static load rating (C0)	5,1 kN

USFL003S6 Bearing 2D drawings and 3D CAD models