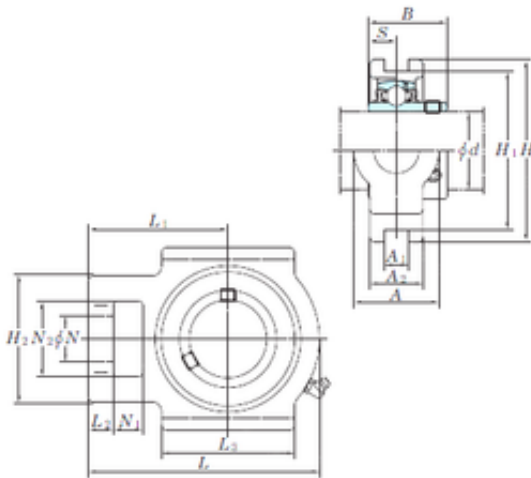




NTN BEARING-BOWER CORP.

KOYO UCT318 bearing units

Bearing No. UCT318



UCT318 Bearing 2D drawings and 3D CAD models

Bore Diameter	90 mm
d	90 mm
L2	30 mm
L3	175 mm
A	110 mm
A1	32 mm
B	96 mm
H	255 mm
H1	228 mm
H2	160 mm
L	312 mm
L1	192 mm
N	57 mm
N1	46 mm
S	40 mm
A2	66 mm
N2	106 mm
Weight	21,6 Kg
Basic dynamic load rating (C)	143 kN
Basic static load rating (C0)	107 kN
Bearing No.	UCT318
Cr	143
C0r	107
f0	13.3
(Refer.)Unit mass(kg)	21.6
Nipple size	R1/8



NTN BEARING-BOWER CORP.