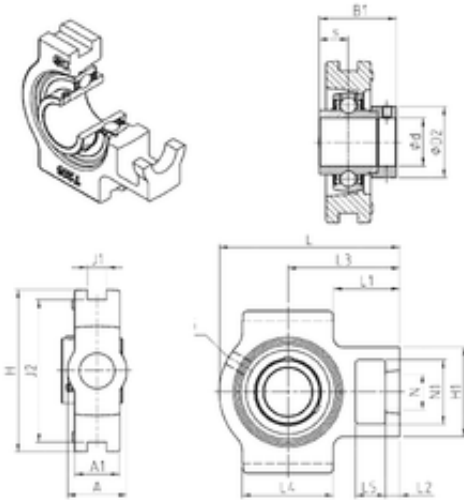




# NTN BEARING-BOWER CORP.



EXT310 Bearing 2D drawings and 3D CAD models

## SNR EXT310 bearing units

Bearing No. EXT310

Bore Diameter	50 mm
d	50 mm
L4	106 mm
L5	27 mm
L2	22 mm
L3	118 mm
s	24,6 mm
A	61 mm
A1	40 mm
B1	66,6 mm
D2	76,2 mm
H	151 mm
H1	98 mm
L	192 mm
L1	65 mm
N	37 mm
N1	61 mm
Thread (G)	M6x1
J1	20 mm
J2	140 mm
Weight	4,2 Kg
Basic dynamic load rating (C)	62 kN
A2	40 mm
B	49.2 mm
A5	24.6 mm
d1	76.2 mm



## NTN BEARING-BOWER CORP.

G	M6x1
H2	98 mm
N2	61 mm
s1	46.8 mm
S	24.6 mm
SW	5 mm
C	62 kN
C0	37.8 kN
T min.	-20 ° C
T max.	100 ° C
Recommended tightening torque for set screw	22 Nm
Designation of housing	T310-
Designation of bearing	EX310G2