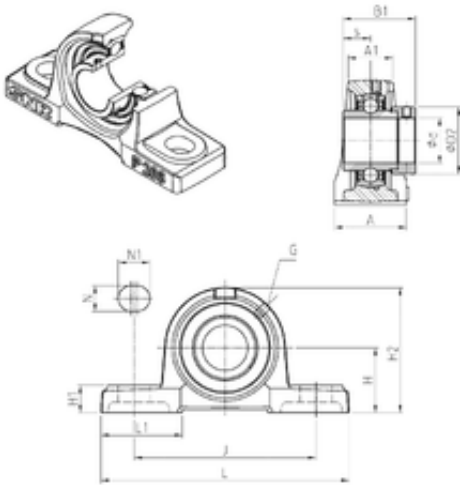




# NTN BEARING-BOWER CORP.



## SNR EXP217 bearing units

Bearing No. EXP217

Bore Diameter	85 mm
d	85 mm
s	23,4 mm
A	83 mm
A1	53 mm
B1	73,2 mm
D2	119 mm
H	95,2 mm
H1	32 mm
H2	187 mm
J	247 mm
L	310 mm
L1	96 mm
N	25 mm
N1	31 mm
Thread (G)	M10x1
Weight	11,2 Kg
Basic dynamic load rating (C)	83,2 kN

EXP217 Bearing 2D drawings and 3D CAD models