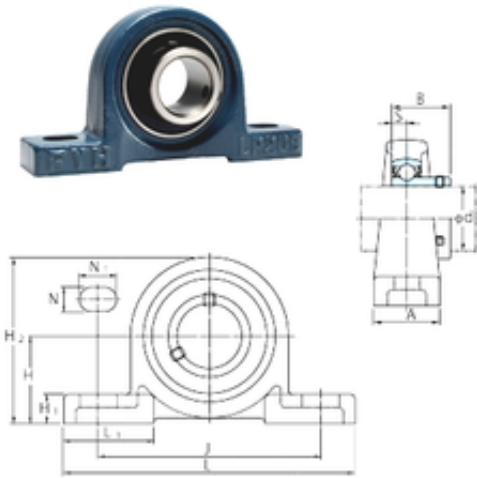




## NTN BEARING-BOWER CORP.

### FYH BLP207-20 bearing units

Bearing No. BLP207-20



BLP207-20 Bearing 2D drawings and 3D CAD models

Bore Diameter	31,75 mm
Width	32 mm
d	31,75 mm
A	35 mm
B	32 mm
H	47,6 mm
H1	16 mm
H2	93 mm
J	127 mm
L	165 mm
L1	50 mm
N	14 mm
N1	21 mm
S	8,5 mm
Bolt (G)	M12
Weight	0,94 Kg
Basic dynamic load rating (C)	25,7 kN
Basic static load rating (C0)	15,4 kN