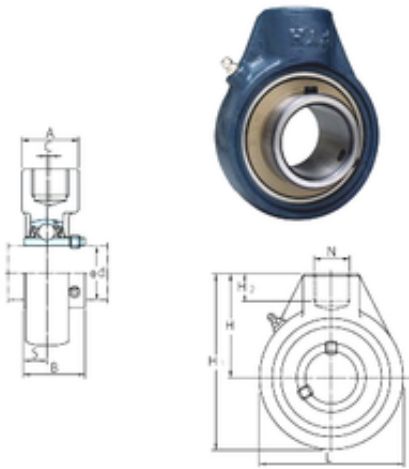




# NTN BEARING-BOWER CORP.

## FYH UCHA207-22 bearing units



Bearing No. UCHA207-22

Bore Diameter	34,925 mm
Width	42,9 mm
d	34,925 mm
A	40 mm
B	42,9 mm
C	– mm
H	70 mm
H1	116 mm
H2	19 mm
L	92 mm
S	17,5 mm
Bolt (G)	PF 3/4
Weight	1,2 Kg
Basic dynamic load rating (C)	25,7 kN
Basic static load rating (C0)	15,4 kN

UCHA207-22 Bearing 2D drawings and 3D CAD models