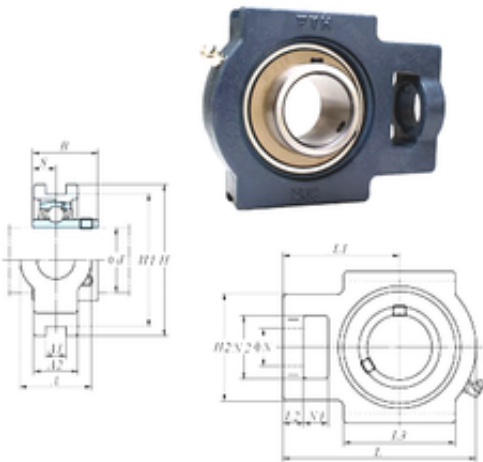




NTN BEARING-BOWER CORP.

FYH UCT328 bearing units



Bearing No. UCT328

Bore Diameter	140 mm
d	140 mm
L2	50 mm
L3	255 mm
A	155 mm
A1	50 mm
B	145 mm
H	415 mm
H1	380 mm
H2	230 mm
L	515 mm
L1	315 mm
N	80 mm
N1	70 mm
S	59 mm
A2	100 mm
N2	160 mm
Weight	85,1 Kg
Basic dynamic load rating (C)	253 kN
Basic static load rating (C0)	246 kN
Category	Mounted Units & Inserts
Inventory	0.0
Manufacturer Name	FYH BEARING UNITS
Minimum Buy Quantity	N/A
Weight / Kilogram	0
Product Group	M06110

UCT328 Bearing 2D drawings and 3D CAD models



NTN BEARING-BOWER CORP.