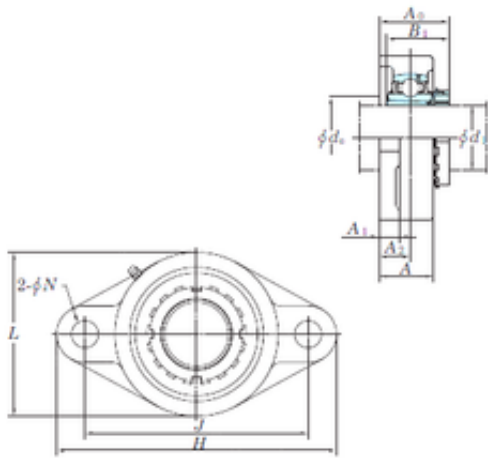




NTN BEARING-BOWER CORP.

KOYO UKFL213 bearing units

Bearing No. UKFL213



UKFL213 Bearing 2D drawings and 3D CAD models

Bore Diameter	60,325 mm
d	60,325 mm
A0	62 mm
d3	74 mm
A	50 mm
A1	20 mm
B1	50 mm
H	258 mm
J	210 mm
L	155 mm
N	23 mm
Bolt (G)	M20
A2	30 mm
Weight	5 Kg
Basic dynamic load rating (C)	57,2 kN
Basic static load rating (C0)	40,1 kN