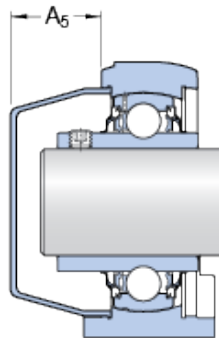
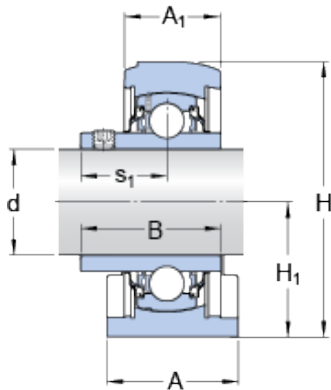




NTN BEARING-BOWER CORP.



SKF SYFWK 1.7/16 LTA bearing units

Bearing No. SYFWK 1.7/16 LTA

Size	36.512x48x32.5 mm
Bore Diameter	36,512 mm
Outer Diameter	48 mm
Width	32,5 mm
d	36.512 mm
A	48 mm
A ₁	32.5 mm
B	42.9 mm
H	95 mm
H ₁	47.6 mm
J	82.6 mm
L	110 mm
s ₁	25.4 mm
Basic dynamic load rating - C	25.5 kN
Basic static load rating - C ₀	15.3 kN
Fatigue load limit - P _u	0.655 kN
Limiting speed	3200 r/min
Calculation factor - f ₀	14
Weight	0.7 kg
Size thread - G	M10
Thread length - G ₁	12 mm
Hexagonal key size for grub screw - H	3.969 mm
Recommended tightening torque for grub screw	6.5 N · m

SYFWK 1.7/16 LTA Bearing 2D drawings and 3D CAD models



NTN BEARING-BOWER CORP.

Housing	SYFWK 507 L
Bearing - YAR 207-107-2RF/VE495	YAR 2071072RF/VE495
Housing material	Composite for food and beverage
A ₁	32.5 mm
A ₅	28.8 mm
H ₁	47.6 mm
s ₁	25.4 mm
Basic dynamic load rating C	25.5 kN
Basic static load rating C ₀	15.3 kN
Fatigue load limit P _u	0.655 kN
Mass bearing unit	0.7 kg
Thread size attachment end G	M10
Thread length G ₁	12 mm
Thread grub screw G ₂	5/16-24 UNF
Hexagonal key size for grub screw N	3.969 mm
Bearing	YAR 207-107-2RF/VE495