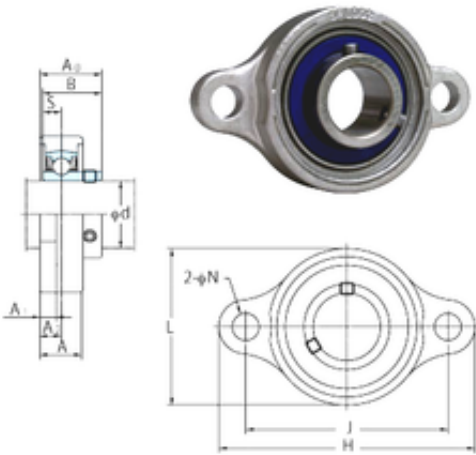




NTN BEARING-BOWER CORP.

FYH USFL002S6 bearing units

Bearing No. USFL002S6



USFL002S6 Bearing 2D drawings and 3D CAD models

Bore Diameter	15 mm
d	15 mm
A0	17,5 mm
A	13 mm
A1	6 mm
B	16,5 mm
H	67 mm
J	53 mm
L	41 mm
N	7 mm
S	5,5 mm
Bolt (G)	M6
A2	6,5 mm
Weight	13,9 Kg
Basic dynamic load rating (C)	0,1 kN
Basic static load rating (C0)	4,7 kN