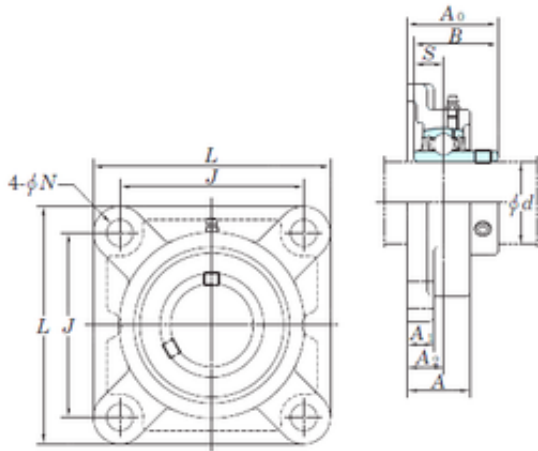




# NTN BEARING-BOWER CORP.

## KOYO UCFX15 bearing units



Bearing No. UCFX15

Bore Diameter	75 mm
d	75 mm
A0	89,3 mm
A	68 mm
A1	24 mm
B	82,6 mm
J	152 mm
L	197 mm
N	23 mm
S	33,3 mm
Bolt (G)	M20
A2	40 mm
Weight	8,4 Kg
Basic dynamic load rating (C)	72,7 kN
Basic static load rating (C0)	53 kN
Bearing No.	UCFX15
Bolt size	M20
Cr	72.7
C0r	53.0
f0	14.6
(Refer.)Unit mass(kg)	8.4
Nipple size	R1/8

UCFX15 Bearing 2D drawings and 3D CAD models